

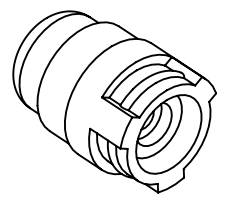
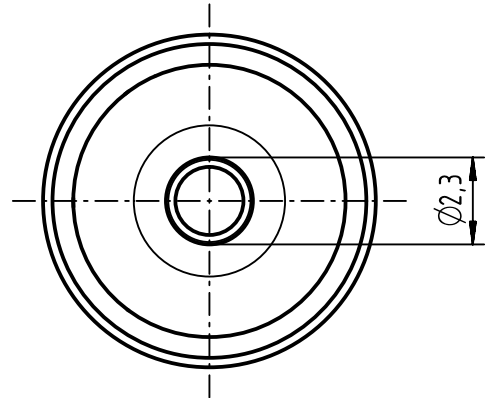
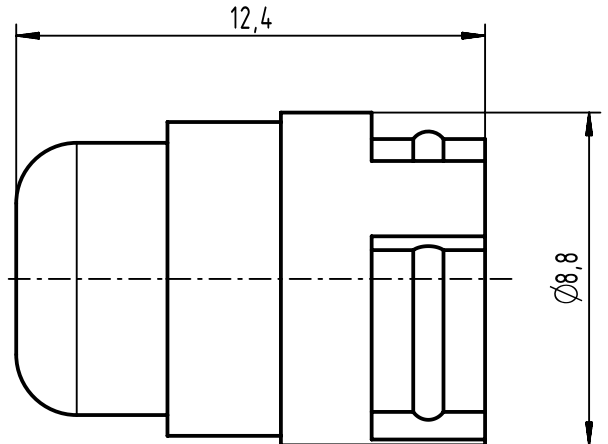
1 2 3 4 5 6

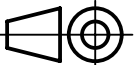

A

B

C

D



 All Dimensions in mm Original Size DIN A4	Scale	Free size tol.		Ref.	
	5:1			Sub.	
 All rights reserved Department EL PD	Created by	Inspected by	Standardisation	Date	State
	EISFELD	WELLMANN	HOFFMANN	2020-07-08	Final Release
HARTING Electronics GmbH D-32339 Espelkamp	Title			Doc-Key / ECM-Nr.	
	M8-S sealing insert 1.9-2.5mm			100125461/UGD/003/C 500000175705	
Type		Number		Rev.	Page
TB		21010102016		C	1/1